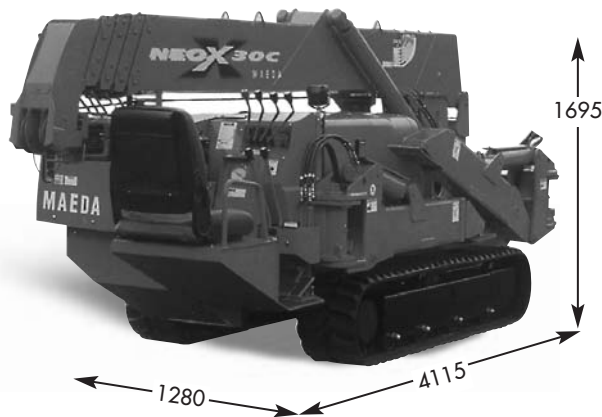


3 TONNE

MAEDA Mini crawler Crane

MC-305C



MAEDA

MC-305C

Mini crawler Crane

SPECIFICATION

Crane Capacity	2.93t x 2.50m
Max. Working Radius	12.16m
Max. Hook Height	Approx. 12.66m
Boom	5-section hydraulically telescoping boom of pentagonal box construction
Boom Length	3.695 ~ 12.485m
Derricking System	2 x Direct Push type Hydraulic Cylinders
Slewing System	360° continuous, by a hydraulic motor
Travelling System	Hydrostatic transmission
Travelling Speed	Dual & variable, 0 ~ 2.2km/h, 0 ~ 3.0km/h
Gradability	23.5°
Fuel/Fuel Tank Capacity	Diesel / 37L
Control System	Levers, and either Cable type or Wireless Radio type Remote Controller
Engine	Yanmar diesel engine "3TNE74-MB1" 14kw/2,530min ⁻¹
Dimensions (LXWXH)	4.115 x 1.280 x 1.695mm
Weight	3.700 kg
Options	Moment Limiter (M) (CE:standard); Cable type Remote Controller (R); Wireless type Radio Controller (W); Electric Motor Option (E); White Rubber Tracks; One touch couplers for hydraulic hoses; 2 falls Hook Block; Single fall Hook Block; Indicator for outriggers' setting (CE:standard)

*Further details, please contact your MAEDA dealer.

TOTAL RATED LOAD (Outriggers at Maximum position)

5.945m boom		8.145m boom		10.315m boom		12.485m boom	
Working Radius (m)	Total Rated Load (kg)	Working Radius (m)	Total Rated Load (kg)	Working Radius (m)	Total Rated Load (kg)	Working Radius (m)	Total Rated Load (kg)
Less than 2.5	2930	2.7	2270	4.0	1060	Less than 4.5	775
3.0	2350	3.0	2090	4.5	950	5.0	640
3.5	1950	3.5	1680	5.0	860	6.0	495
4.0	1670	4.0	1415	6.0	750	7.0	410
4.5	1450	4.5	1230	7.0	645	8.0	360
5.0	1300	5.0	1070	8.0	540	9.0	320
5.62	1120	5.5	950	9.0	490	10.0	290
		6.0	855	9.99	415	11.0	260
		7.0	700			12.16	250
		7.82	610				

* The Total Rated Table is based on actual working radius that takes into account boom deflections under load.

* The Total Rated Table is including 30kg of Hook Block.

WORKING RANGE CHART

